

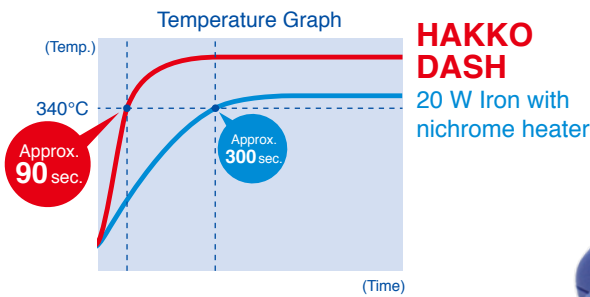
HAKKO DASH

SOLDERING IRON

NEW

Ideal for electronic circuit assembly
A new entry model of ceramic heater soldering iron

Fast Ramp Up! 3 times faster than nichrome heater model



*The graph above indicates characteristics of the heaters.

Heating time to reach 340°C

HAKKO DASH 90 sec.

20 W soldering iron with nichrome heater

300 sec.

Diameter

15 mm

Slim handle improves your work efficiency!

HAKKO DASH is supplied with a 'B' shape tip as standard.

There are 6 more different shapes for a variety of works.

Simple and easy tip replacement



Quick change just losing a screw

Specifications

Model No.	FX-650
Power consumption	15 to 16 W
Heater	Ceramic heater
Standard tip	Shape-B (T34-B)
Total length	224 mm
Weight	60 g

*Length and weight do not include power cord.

Replacement Parts

Part No.	Part name
A5011	Heater 110 to 127 V
A5012	Heater 220 to 240 V

Option

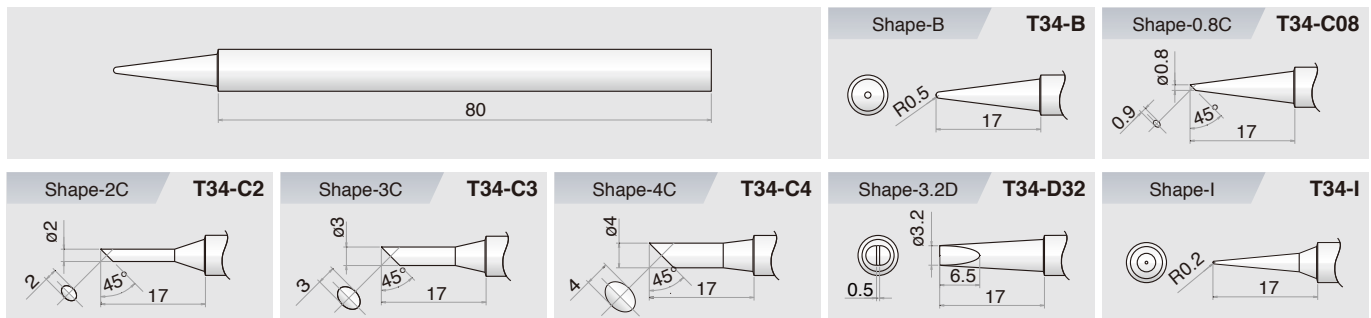


Part No.	Part name	Part No.	Part name
633-01	Iron holder HAKKO 633 with cleaning wire*	633-02	Iron holder HAKKO 633 with cleaning sponge

*Recommended for Pb free soldering

Replacement tips - T34 series

Unit : mm



HAKKO
HAKKO CORPORATION
OVERSEAS AFFILIATES

U.S.A.
AMERICAN HAKKO PRODUCTS, INC.
28920 AVENUE WILLIAMS VALENCIA, CA 91355, U.S.A.
TEL: (661) 294-0090 FAX: (661) 294-0096
Toll Free (800)88-HAKKO
http://www.hakkousa.com

HEAD OFFICE
4-5, SHIOKUSA 2-CHOME, NANIWA-KU, OSAKA, 556-0024 JAPAN
TEL: +81-6-6561-3225 FAX: +81-6-6561-8466
http://www.hakko.com E-mail: sales@hakko.com

HONG KONG
HAKKO DEVELOPMENT CO., LTD.
ROOM 1504, EASTERN HARBOUR CENTRE,
28 HOI CHAK STREET, QUARRY BAY, HONG KONG.
TEL: 2811-5588 FAX: 2590-0217
http://www.hakko.com.hk
E-mail: info@hakko.com.hk

SINGAPORE
HAKKO PRODUCTS PTE LTD
1, GENTING LINK #02-04
PERFECT ONE, SINGAPORE 349518
TEL: 6748-2277 FAX: 6744-0033
http://www.hakko.com.sg
E-mail: sales@hakko.com.sg

CA00452EbYa001 2014.11

Please access to the following for the other Sales affiliates.
<http://www.hakko.com>

Specifications and design are subject to change without notice. Copyright Hakko Corporation. All right reserved.