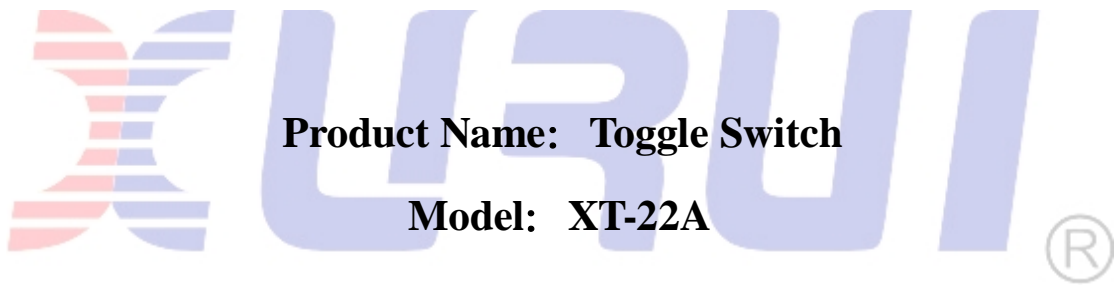

SPECIFICATION

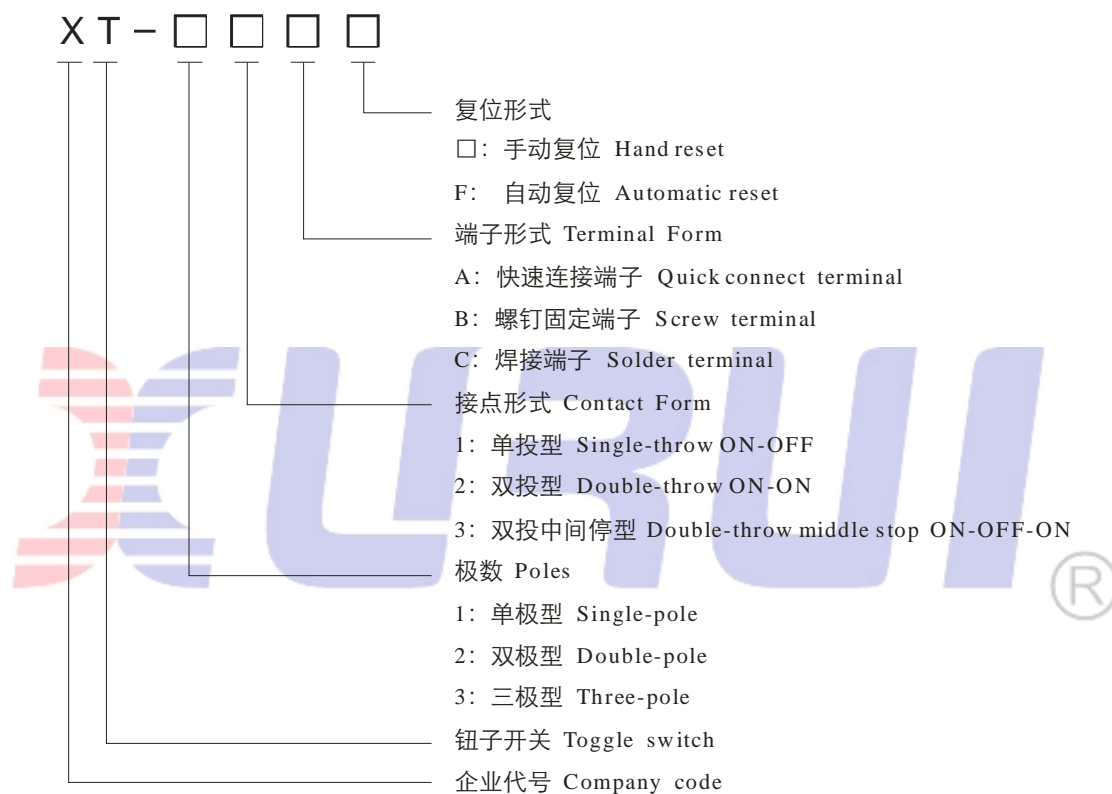


ZHEJIANG XURUI ELECTRONIC CO.,LTD

1. Features & Application

- Adopt engineering plastic for casing, fine quality copper material for lever, has better mechanical strength.
- The installation of connection diagram is mounting screw and safety stock. The connection point is quick-witted, have lagging to fit.
- Widely used in various of electronic equipment, automatic machine, apparatus and instrument, electro motion tool etc to control make-and-break of electric circuit.

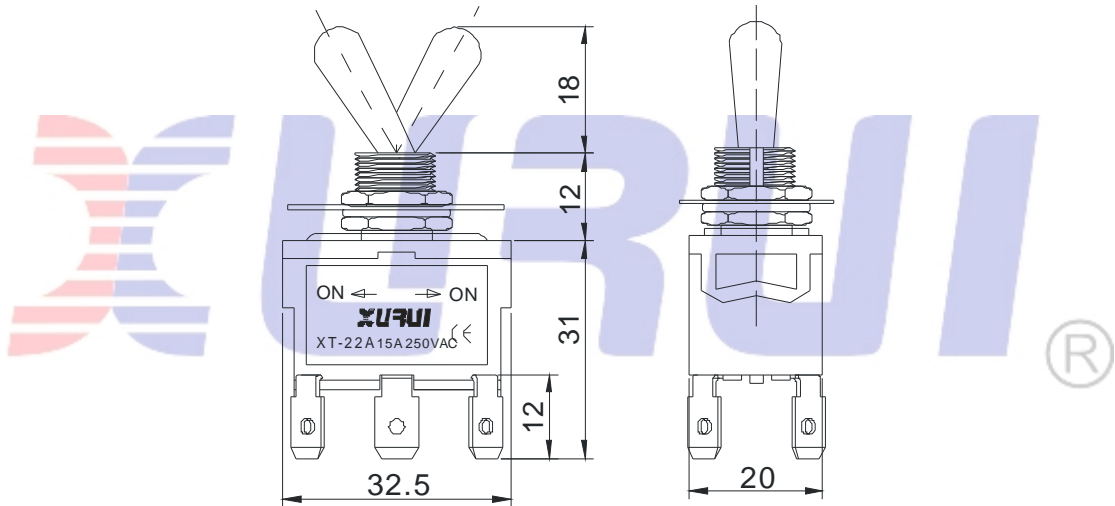
2. Model & Meanings



3. Technical specification

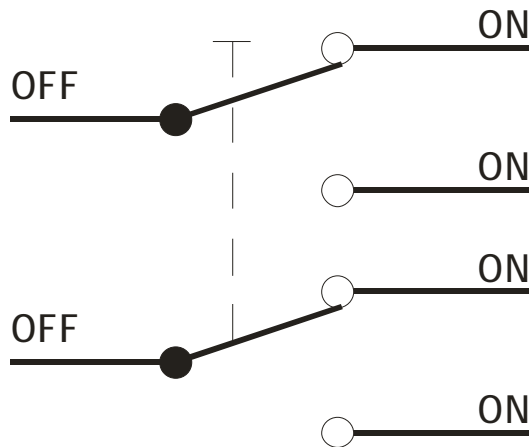
项 目	Item	参数值	Data	
额定负载	Rating load	15A/250VAC, 25A/250VAC		
操作频率	Operation frequency	30次/分 30times/min		
绝缘电阻	Insulation resistance	100MΩ以上(Above) DC500V		
接触电阻	Contact resistance	25mΩ(初值 initial value)		
介质耐压	Withstand voltage	非 连 线	Non-connection wire	1000VAC
		各端子间	Every terminal	1500VAC
振 动	Vibration	误 动 作	Misoperation	10-55Hz 复振幅 Amplitude 1.5mm
冲 击	Impact	耐 久	Durable	1000m/s ²
		误 动 作	Misoperation	300m/s ²
寿 命	Life	电 气	Electrical	100,000次以上 above
		机 械	Mechanical	500,000次以上 above
防护等级	Protection degree	IP40		
使用温度	Operating temperature	-25~+80℃		
使用湿度	Operating humidity	<85%		

4. Outshape and mounting dimensions



4. Connection Diagram

DPDT ON-ON



6. Certifications

CCC, CE, TUV

7. Instructions

- A. It is not allowed to oil on the driving parts, such as the arm or the actuator, otherwise will cause abnormal working and poor contact.
- B. As the toggle switch's structure is not waterproof, please adopt the protecting solutions when used in the environment of liquid splash and jet.
- C. To avoid electric shock and burning, please cut the power when toggle switch be mounting, unload, wiring and inspection.
- D. Please make sure the insulation distance when toggle switch be wiring, and it is necessary to match the rainproof cap.
- E. The series toggle switch panel mounting hole is $\Phi 12\text{mm}$.
- F. Please install the toggle switch on the flat surface. It may caused the switch crooked, abnormal action and damaged appearance.
- G. Please do not apply the toggle switch in the flammable explosive environment. Because toggle switch working will bring the electric arc and heat, that may cause fire or explosion.
- H. Toggle switch shall not be fell or split, otherwise it is not only unable to satisfy its characteristic, also may cause damages, electric shock, loss by burning.
- I. Please select the suitable switch according to rating current, operating load, actuation type and environmental conditions. The switch life is based on switch conditions.

