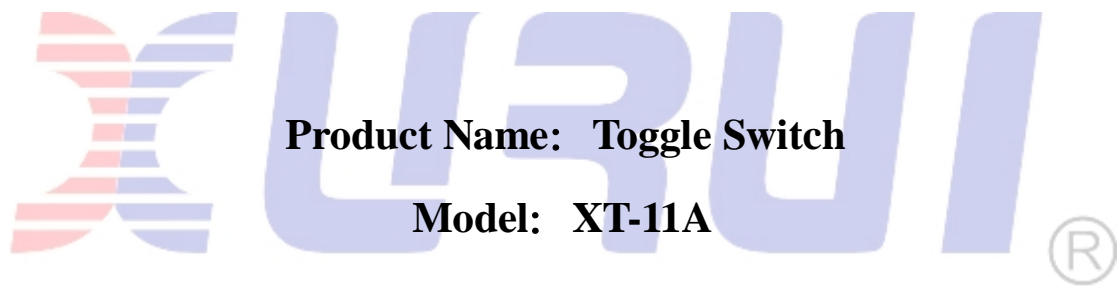

SPECIFICATION



Product Name: Toggle Switch

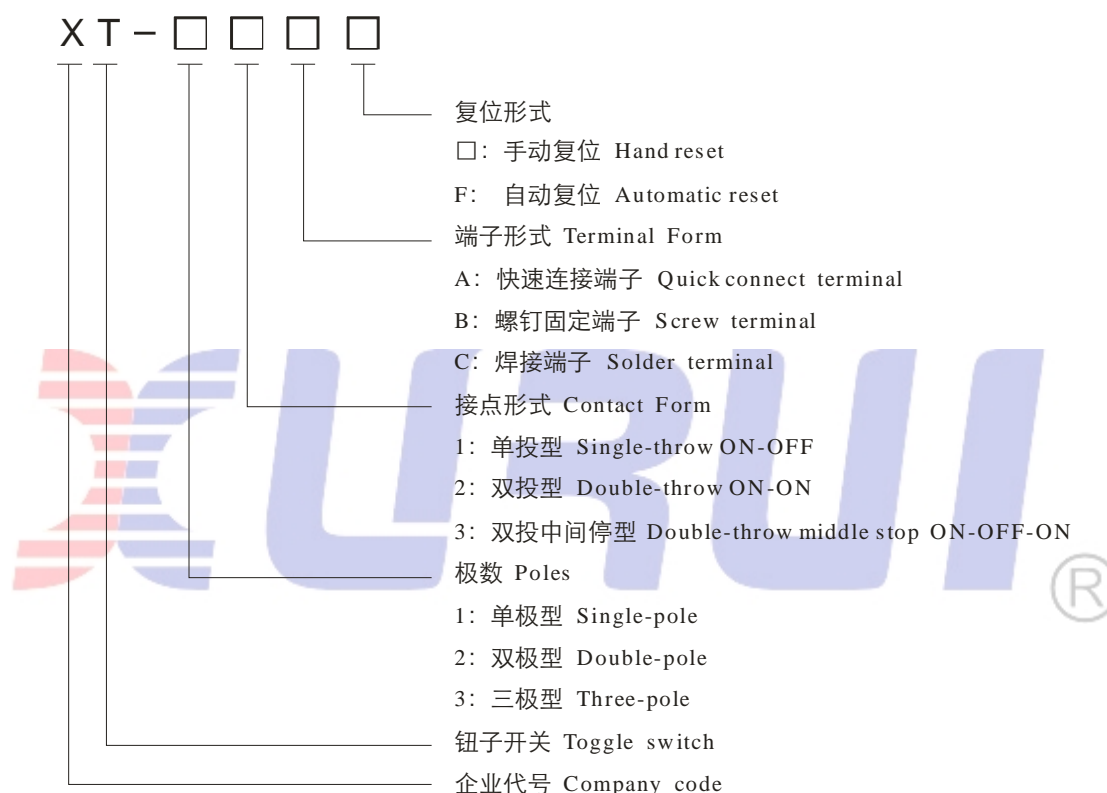
Model: XT-11A

ZHEJANG XURUI ELECTRONIC CO.,LTD

1. Features & Application

- Adopt engineering plastic for casing, fine quality copper material for lever, has better mechanical strength.
- The installation of connection diagram is mounting screw and safety stock. The connection point is quick-witted, have lagging to fit.
- Widely used in various of electronic equipment, automatic machine, apparatus and instrument, electro motion tool etc to control make-and-break of electric circuit.

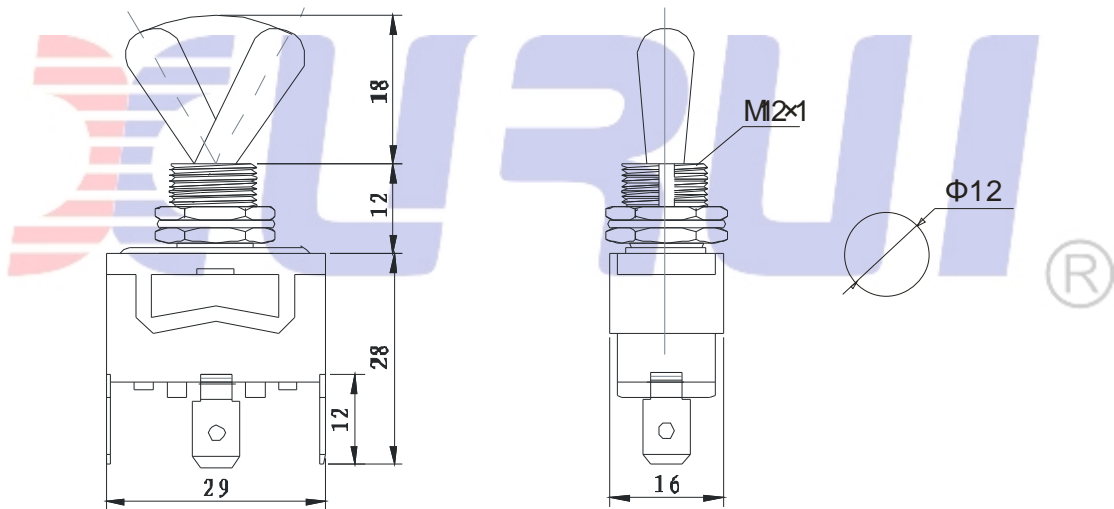
2. Model & Meanings



3. Technical specification

| 项 目 | Item | 参数值 | Data | |
|------|-----------------------|------------------------|---------------------|-----------------------------|
| 额定负载 | Rating load | 15A/250VAC, 25A/250VAC | | |
| 操作频率 | Operation frequency | 30次/分 30times/min | | |
| 绝缘电阻 | Insulation resistance | 100MΩ以上(Above) DC500V | | |
| 接触电阻 | Contact resistance | 25mΩ(初值 initial value) | | |
| 介质耐压 | Withstand voltage | 非连线 | Non-connection wire | 1000VAC |
| | | 各端子间 | Every terminal | 1500VAC |
| 振 动 | Vibration | 误 动作 | Misoperation | 10-55Hz 复振幅 Amplitude 1.5mm |
| 冲 击 | Impact | 耐 久 | Durable | 1000m/s ² |
| | | 误 动作 | Misoperation | 300m/s ² |
| 寿 命 | Life | 电 气 | Electrical | 100,000次以上 above |
| | | 机 械 | Mechanical | 500,000次以上 above |
| 防护等级 | Protection degree | IP40 | | |
| 使用温度 | Operating temperature | -25~+80℃ | | |
| 使用湿度 | Operating humidity | <85% | | |

4.Outshape and mounting dimensions



5.Connection Diagram

SPST ON-OFF



6.Certifications

CCC, CE, TUV

7.Instructions

-
- A.It is not allowed to oil on the driving parts,such as the arm or the actuator,otherwise will cause abnormal working and poor contact.
- B.As the toggle switch's structure is not waterproof,please adopt the protecting solutions when used in the environment of liquid splash and jet.
- C.To avoid electric shock and burning, please cut the power when toggle switch be mounting,unload,wiring and inspection.
- D.Please make sure the insulation distance when toggle switch be wiring, and it is necessary to match the rainproof cap.
- E.The series toggle switch panel mounting hole is $\Phi 12\text{mm}$.
- F.Please install the toggle switch on the flat surface. It may caused the switch crooked, abnormal action and damaged appearance.
- G.Please do not apply the toggle switch in the flammable explosive environment. Because toggle switch working will bring the electric arc and heat, that may cause fire or explosion.
- H.Toggle switch shall not be fell or split,otherwise it is not only unable to satisfy its characteristic,also may cause damages, electric shock, loss by burning.
- I.Please select the suitable switch according to rating current, operating load,actuation type and environmental conditions. The switch life is based on switch conditions.

