

APPLIANCE OUTLET



DAC-17



FEATURES

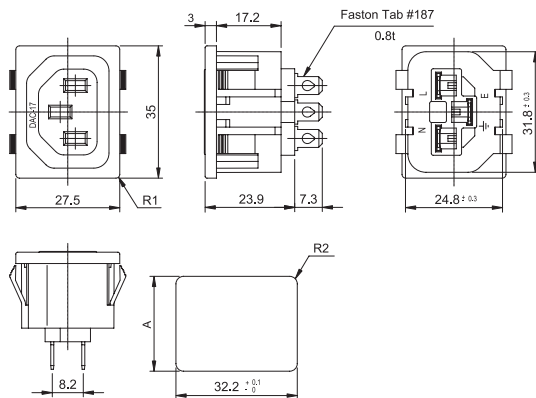
- Faston tab #187 is available.
- Snap in type for quick mounting.
- EK, UL, CSA, SEMKO, NEMKO, DEMKO, FIMKO approved.

APPLICATIONS

- Switching power supply use in personal computers.

SPECIFICATIONS

- Standard ratings : 250V AC 10A
- Suitable for appliance class : I
- Insulation resistance : 100M Ω 500V DC
- Test voltage : 2000V AC one minute.
- Weight : 14.5g.



Thickness of Panel	A
0.8~1.2t	25.1 ^{+0.1} ₋₀
1.3~2.0t	25.5 ^{+0.1} ₋₀

General Tolerance : ± 0.5
Unit : mm