

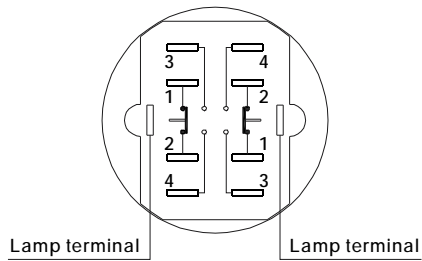
ANTI-VANDAL PUSHBUTTONS

GQ25 ANTI-VANDAL PUSHBUTTONS

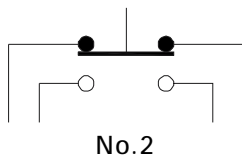
Implication of Type

GQ	□□	-	□□	□	/	□	/	□
Code of Series	Mounting hole: 25 Φ25mm	Contact Structure: 11 1NO1NC 22 2NO2NC	Lamp type: D dot illuminated E ring illuminated No letter means without lamp.	Lamp Color: R red G green Y yellow O orange B blue W white	Lamp voltage: 6V AC/DC 12V AC/DC 24V AC/DC 110V AC/DC 220V AC/DC			

Terminal Arrangement



Switching Operation

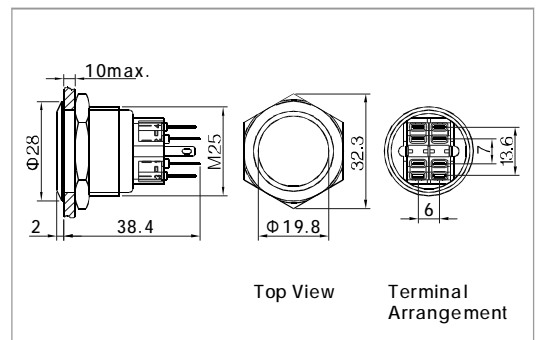


PUSH BUTTON SWITCH



GQ25-□□

- ◎ Φ25mm diameter
- ◎ 5A/250VAC
- ◎ 1NO1NC/2NO2NC
- ◎ The Front Shape: Flat Round
- ◎ The crust material: Stainless Steel
- ◎ IP Degree: IP65

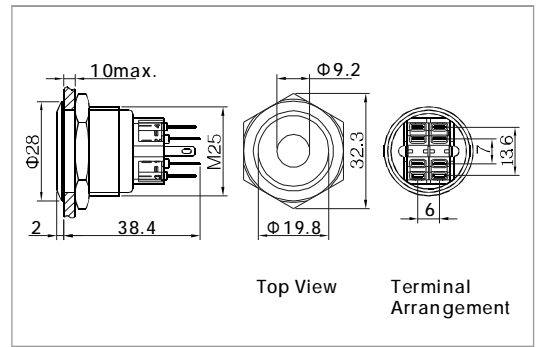


ANTI-VANDAL PUSHBUTTONS

DOT ILLUMINATED PUSH BUTTON SWITCH



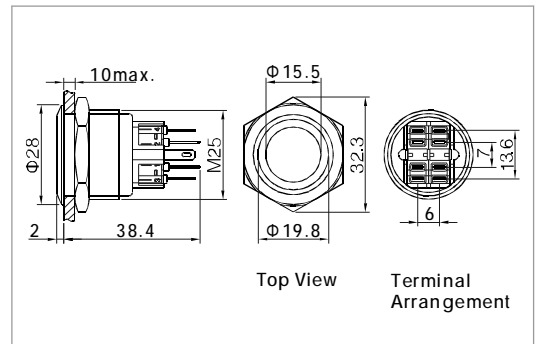
- ⊙ Φ 25mm diameter
- ⊙ 5A/250VAC
- ⊙ 1NO1NC/2NO2NC
- ⊙ Dot illuminated
- ⊙ The crust material:Stainless Steel
- ⊙ IP Degree:IP65



RING ILLUMINATED PUSH BUTTON SWITCH



- ⊙ Φ 25mm diameter
- ⊙ 5A/250VAC
- ⊙ 1NO1NC/2NO2NC
- ⊙ Ring illuminated
- ⊙ The crust material:Stainless Steel
- ⊙ IP Degree:IP65



Specification		GQ25-□□	GQ25-□□D	GQ25-□□E
The Front Shape		Flat Round	Flat Round	Flat Round
Terminal Type		Pin Terminal(2.8×0.5mm)	Pin Terminal(2.8×0.5mm)	Pin Terminal(2.8×0.5mm)
Switching		No.2	No.2	No.2
Max.Switch Rating		5A/250VAC	5A/250VAC	5A/250VAC
Contact Resistance		≤50mΩ	≤50mΩ	≤50mΩ
Insulation Resistance		≥1000MΩ	≥1000MΩ	≥1000MΩ
Dielectric Strength		2000VAC	2000VAC	2000VAC
Operation Temp.		-20°C ~ +70°C	-20°C ~ +70°C	-20°C ~ +70°C
Mechanical Life		1,000,000cycles	1,000,000cycles	1,000,000cycles
Electrical Life		50,000 cycles	50,000 cycles	50,000 cycles
Contact Material		Silver Alloy	Silver Alloy	Silver Alloy
Panel Thickness		1 ~ 10mm	1 ~ 10mm	1 ~ 10mm
Torque		5 ~ 14Nm	5 ~ 14Nm	5 ~ 14Nm
Operation Pressure		3~8N	3~8N	3~8N
IP Degree		IP65	IP65	IP65
Material	Button	Stainless Steel	Stainless Steel	Stainless Steel
	Body	Stainless Steel	Stainless Steel	Stainless Steel
	Base	PA	PA	PA
	RoHS	Made to order	Made to order	Made to order
LED Spec.	Type	-	Dot Illuminated(LED)	Ring Illuminated(LED)
	Rated Voltage	-	6V / 12V / 24V / 110V / 220V	6V / 12V / 24V / 110V / 220V
	Color	-	R G Y O B W	R G Y O B W
	Life	-	40,000 hours	40,000 hours