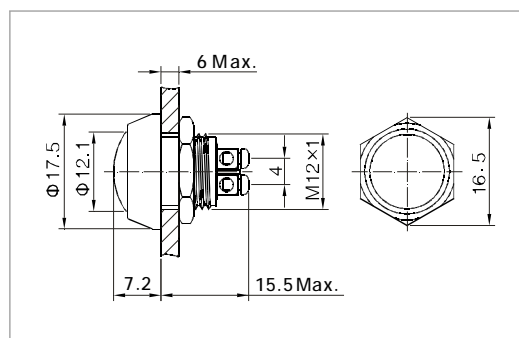


ANTI-VANDAL PUSH BUTTON



GQ12B-10/○

- Φ 12mm diameter
- Switch rating: 2A/36VDC
- Contact Configuration: 1NO
- Operation Type: Momentary
- The crust material: Stainless Steel/ Nickel Plated Brass
- IP Degree: IP65

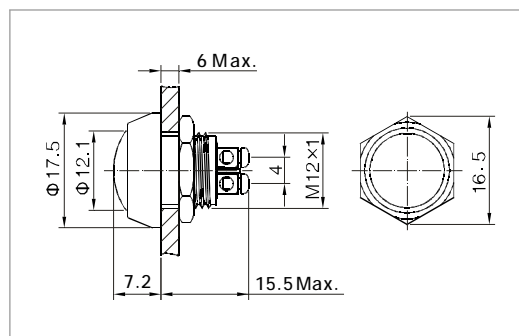


COLORIZED PUSH BUTTON



GQ12B-10/△/A

- Φ 12mm diameter
- Switch rating: 2A/36VDC
- Contact Configuration: 1NO
- Operation Type: Momentary
- The crust material: Zn-Al alloy
- Material of actuator: PBT
- Head Color: R G Y O B W N
- IP Degree: IP65



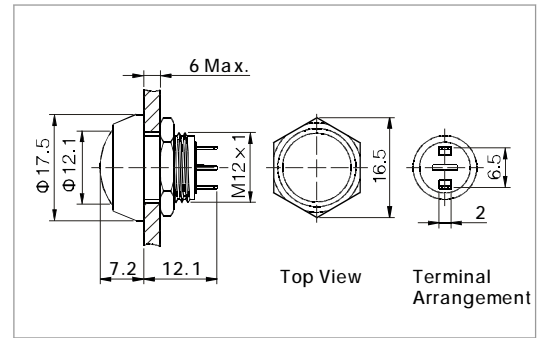
Specification	GQ12B-10/○	GQ12B-10/△/A
Terminal Type	Screw Terminals	Screw Terminals
Switching	No.1	No.1
Max. Switch Rating	2A/36VDC	2A/36VDC
Contact Resistance	$\leq 50m\Omega$	$\leq 50m\Omega$
Insulation Resistance	$\geq 1000M\Omega$	$\geq 1000M\Omega$
Dielectric Strength	2000VAC	2000VAC
Operating Temp	-20°C ~ +55°C	-20°C ~ +55°C
Mechanical life	1,000,000 cycles	1,000,000 cycles
Electrical life	200,000 cycles	200,000 cycles
Panel Thickness	1 ~ 6mm	1 ~ 6mm
Torque	5 ~ 14Nm	5 ~ 14Nm
Operation Pressure	About 5N	About 5N
Operation Distance	About 2.5mm	About 2.5mm
IP Degree	IP65	IP65
Material	Contact	Silver Alloy
	Button	Stainless Steel/Nickel Plated Brass
	Body	Stainless Steel/Nickel Plated Brass
	Base	PBT
	RoHS	Made to order
Head Color	—	R G Y O B W N

ANTI-VANDAL PUSH BUTTON



GQ12B-10/J/⊙

- ⊙ Φ 12mm diameter
- ⊙ Switch Rating: 2A/36VDC
- ⊙ Contact Configuration: 1NO
- ⊙ Operation Type: Momentary
- ⊙ The crust material: Stainless Steel/
Nickel Plated Brass
- ⊙ IP Degree: IP65

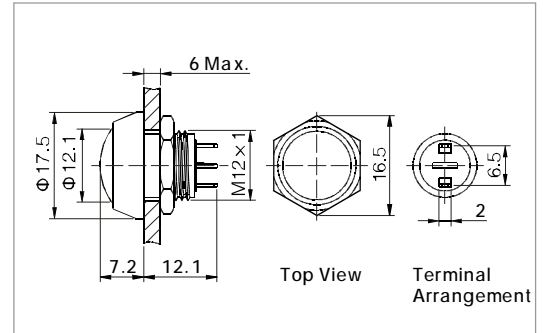


COLORIZED PUSH BUTTON



GQ12B-10/J/Δ/A

- ⊙ Φ 12mm diameter
- ⊙ Switch Rating: 2A/36VDC
- ⊙ Contact Configuration: 1NO
- ⊙ Operation Type: Momentary
- ⊙ The crust material: Zn-Al alloy
- ⊙ Material of actuator: PBT
- ⊙ Head Color: R G Y O B W N
- ⊙ IP Degree: IP65

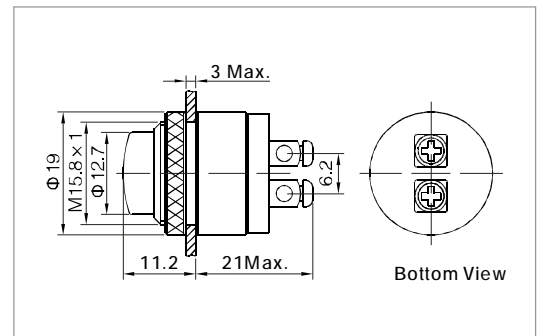


DOOR BELL PUSH BUTTON



GQ16M-10

- ⊙ Φ 16mm diameter
- ⊙ Switch Rating: 1A/36VDC
- ⊙ Contact Configuration: 1NO
- ⊙ Operation Type: Momentary
- ⊙ The crust material: Brass
(bronze-coloured)
- ⊙ IP Degree: IP40



Specification	GQ12B-10/J/⊙	GQ12B-10/J/Δ/A	GQ16M-10
Terminal Type	Pin Terminal(2×0.5mm)	Pin Terminal(2×0.5mm)	Screw Terminals
Switching	No.1	No.1	No.1
Max. Switch Rating	2A/36VDC	2A/36VDC	1A/36VDC
Contact Resistance	≤ 50mΩ	≤ 50mΩ	≤ 50mΩ
Insulation Resistance	≥ 1000MΩ	≥ 1000MΩ	≥ 1000MΩ
Dielectric Strength	2000VAC	2000VAC	2000VAC
Operating Temp	-20°C ~ +55°C	-20°C ~ +55°C	-20°C ~ +55°C
Mechanical life	1,000,000 cycles	1,000,000 cycles	1,000,000 cycles
Electrical life	200,000 cycles	200,000 cycles	200,000 cycles
Panel Thickness	1 ~ 6mm	1 ~ 6mm	1 ~ 3mm
Torque	5 ~ 14Nm	5 ~ 14Nm	5 ~ 14Nm
Operation Pressure	About 5N	About 5N	About 8N
Operation Distance	About 2.5mm	About 2.5mm	About 3mm
IP Degree	IP65	IP65	IP40
Material	Contact	Silver Alloy	Silver Plated Brass
	Button	Stainless Steel/Nickel Plated Brass	Brass(bronze-coloured)
	Body	Stainless Steel/Nickel Plated Brass	Brass(bronze-coloured)
	Base	PBT	PBT
	RoHS	Made to order	Made to order
Head Color	—	R G Y O B W N	Bronze-coloured