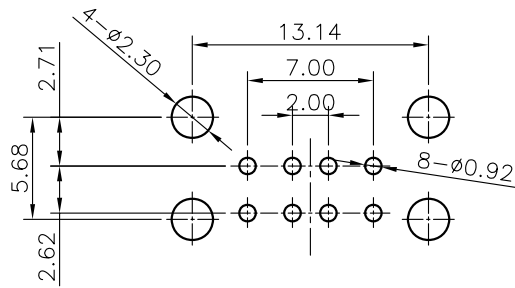
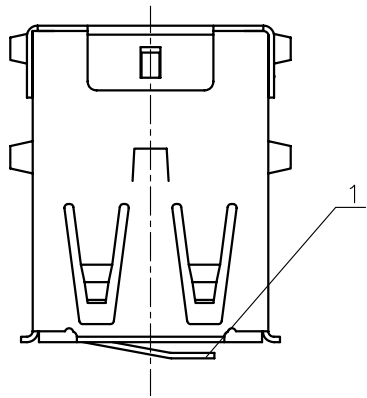


REV.	DESCRIPTION	DRAWN	CHECKED	APPROVED
A	NEW RELEASE	LJH 05/10/05'		



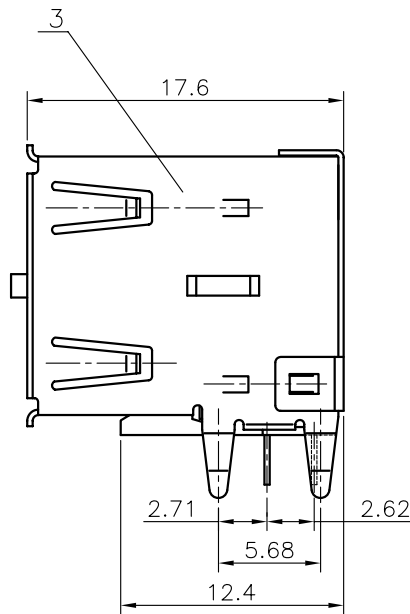
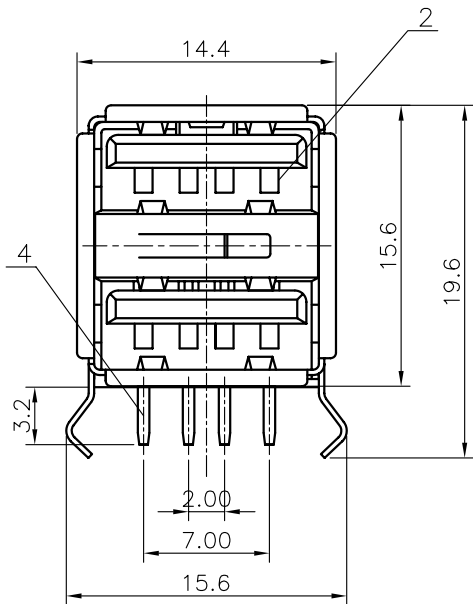
RECOMMEND PCB LAYOUT
TOLERANCE=±0.05

NOTES:

- SPECIFICATIONS:
 - CONTACT RESISTANCE:30mΩ max.
 - INSULATOR RESISTANCE:1000MΩ min.AT DC 500V.
 - CURRENT RATING:1.5A.
 - VOLTAGE RATING:30VDC.
 - DIELECTRIC STRENGTH:AC 500V FOR 1 Minute.
- MATERIALS:
 - HOUSING:PBT+30% GLASS FIBER(UL 94-0).
 - CONTACT:COPPER ALLOY
 - SHELL:COPPER ALLOY.
- PRODUCT NUMBER CODE:
- PRODUCT NUMBER CODE:

DS1096 - X X X


- CONTACT Plating
 - 0: Selective Gold flash
 - 03: Selective Gold 3u"
 - 30: Selective Gold 30u"
- SHELL Plating
 - N: Nickel
 - 6: Tin
- COLOR OF HOUSING:
 - W: WHITE
 - B: BLACK
- PRODUCTS SERIES:
 - DS1096 series



GENERAL TOLERANCE	ANGLE TOLERANCE	PROJECTION	TITLE
X. ±0.60	X. ±5°	UNITS	USB DUAL 8 PIN RECEPTALCE RIGHT ANGLE TYPE
.X ±0.38	.X ±3°	SHEET SIZE	SERIES DS1096 SERIES
.XX ±0.25	.XX ±2°		

ITEM	PART NAME	PART NO.	MATERILAS	FINISHED
4	CONTACT		COPPER ALLOY	SEE NOTES
3	SHELL		COPPER ALLOY	SEE NOTES
2	HOUSING		PBT	UL 94 V-0
1	SPRING CLIP		COPPER ALLOY	Nickel Plated

DRAWING TYPE	CUSTOMER
SCALE	1:1 SHEET 1 OF 1
DRAWING NO.	C-DS1096-XXX


晨翔电子有限公司
CONNFLY CONNFLY ELECTRONIC CO. LTD