

RAYCONN ELECTRONICS CO., LTD.

SPECIFICATION FORM

FEATURES

- ◇ 22.50MM×14.00MM OUTLINE
- ◇ 0.36 INCHES (9.20MM) DIGIT HEIGHT
- ◇ THREE DIGIT
- ◇ SINGLE COLOR
- ◇ HIGH BRIGHTNESS
- ◇ EASY ASSEMBLY
- ◇ SOLID STATE RELIABILITY

DESCRIPTION

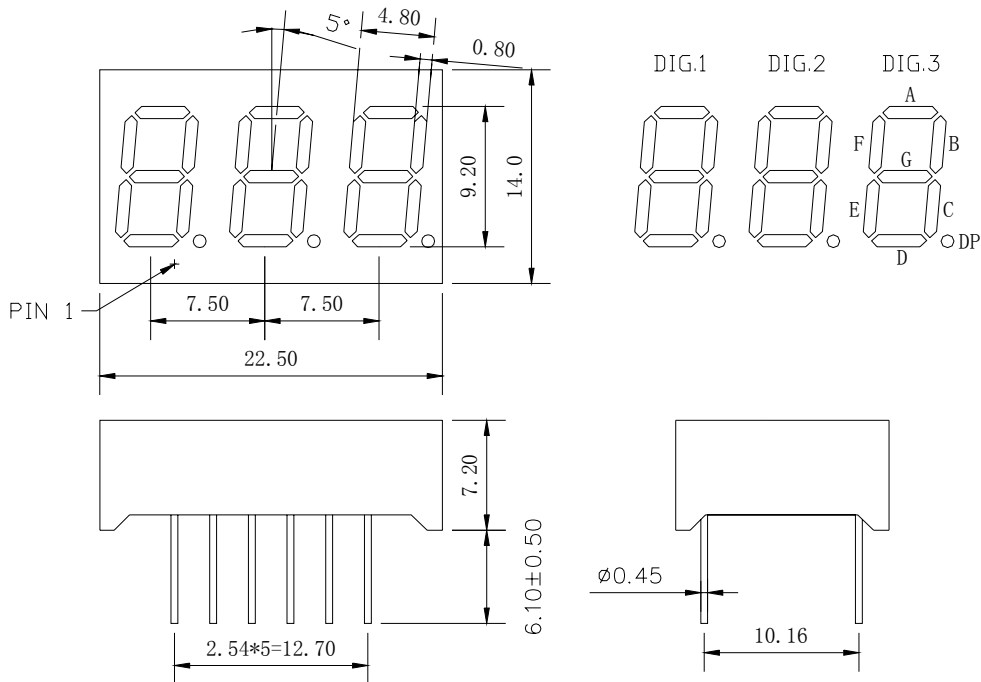
The REC-S3361CSR is a 0.36 inches (9.20mm) digit height, 22.50mm×14.00mm outline, single color, three digit, common cathode numeric display. This display utilizes red LED chips fabricated from GaAlAs epiwafer on GaAs substrate grown by liquid phase epitaxy. The devices have black face and white segments.

DEVICE

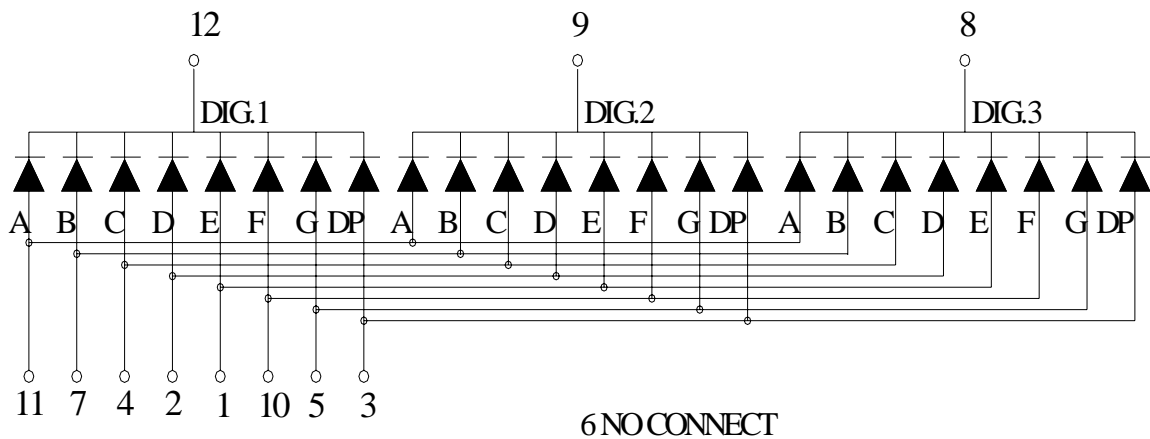
PART NO.	EMITTING COLOR	DESCRIPTION
REC-S3361CSR	Super-Red	Black face, White Segments.

RAYCONN ELECTRONICS CO., LTD.

PACKAGE DIMENSION



INTERNAL CIRCUIT DIAGRAM



RAYCONN ELECTRONICS CO., LTD.

PIN CONNECTION

PIN NO.	CONNECTION	PIN NO.	CONNECTION
1	Anode E	7	Anode B
2	Anode D	8	Cathode Dig.2
3	Anode DP	9	Cathode Dig.2
4	Anode C	10	Anode F
5	Anode G	11	Anode A
6	No Connect	12	Cathode Dig.2

ABSOLUTE MAXIMUM RATING AT $T_A=25^\circ\text{C}$

PARAMETER	SYMBOL	MAXIMUM	UNIT
Power Dissipation per dot	P_{AD}	60	mW
Peak Forward Current per dot (1/10 duty cycle, 0.1ms pulse width)	I_{PF}	80	mA
Continuous Forward Current per dot	I_{AF}	20	mA
Reverse Voltage per dot	V_R	5	V
Operating Temperature Range, T_{opr}	- 25° C to + 80° C		
Storage Temperature Range, T_{stg}	- 30° C to + 85° C		
Solder Temperature : 1 / 16 inch below seating plane for 3 seconds at 260° C			

ELECTRO - OPTICAL CHARACTERISTICS AT $T_A=25^\circ\text{C}$

PARAMETER	UNIT	MIN	TYPE	MAX
Luminous Intensity per chip, I_V ($I_F=20\text{mA}$)	mcd		10.5	
Peak Emission Wavelength, λ_P ($I_F=20\text{mA}$)	nm		644	
Special Line Half-Width, $\Delta\lambda$ ($I_F=20\text{mA}$)	nm		20	
Forward Voltage per chip, V_F ($I_F=20\text{mA}$)	V	1.6	1.8	2.1
Reverse Current per chip, I_R , ($V_R=5\text{V}$)	μA			100
Luminous Intensity Matching Ratio, I_{V-m} ($I_F=20\text{mA}$)				2 : 1