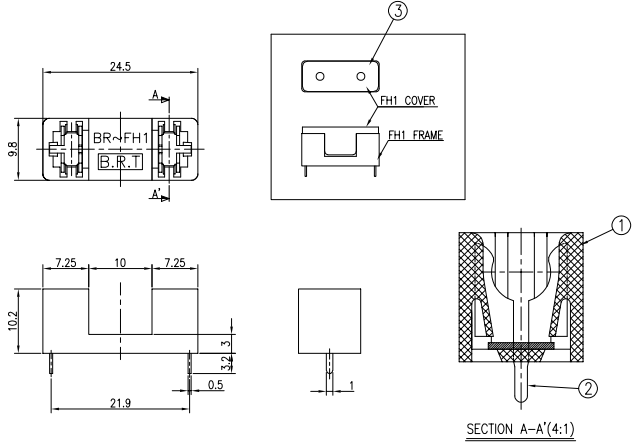


BR-FH1

(발주 Lot : 100ea)

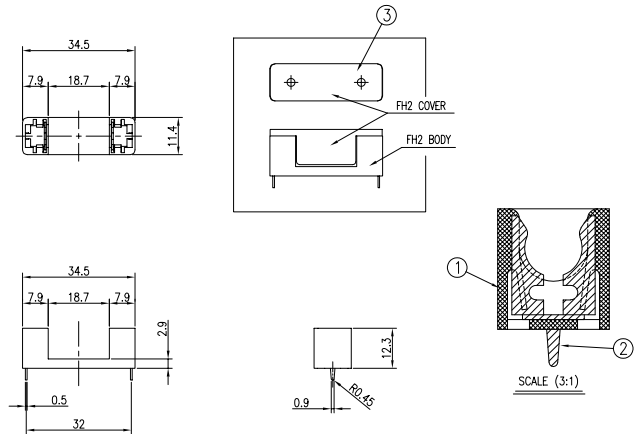


※ Cover Option

No	Component Part	Material	Remark	Plated
1	Frame	P.A.66	UL94V-2	-
2	Terminal	BRASS	t0.5	Sn
3	Cover	P.A.66	-	Na
4	Rating	-	250V 6A	-

BR-FH2

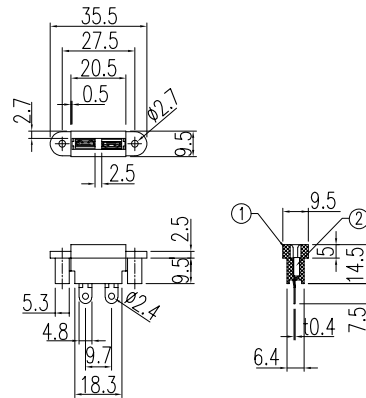
(발주 Lot : 100ea)



※ Cover Option

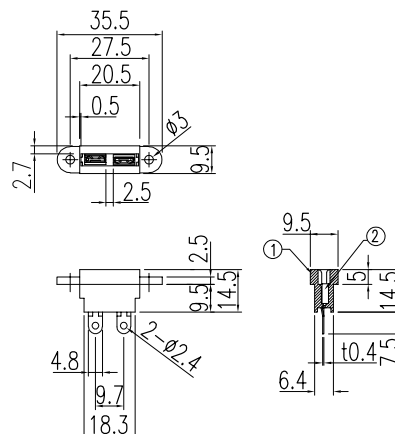
No	Component Part	Material	Remark	Plated
1	Frame	P.B.T.	UL94V-0	-
2	Terminal	BRASS	t0.5	Sn
3	Cover	P.A.66	-	Na
4	Rating	-	250V 10A	-

BR-FHAM



No	Component Part	Material	Remark	Plated
1	Frame	P.B.T.	UL94V-0	-
2	Terminal	BRASS	t0.5	Sn
3	Rating	-	32V 40A	-

BR-FHAM1



No	Component Part	Material	Remark	Plated
1	Frame	P.B.T.	UL94V-0	-
2	Terminal	BRASS	t0.4	Sn
3	Rating	-	32V 40A	-

Fuse Holder

※ 조립식 단자대는 경우에 따라 수축(또는 조립) 공차가 발생할 수 있습니다.